

Date	Issue
OCT. 15 2011	EXISTING TIMBER DWGS.



44681 Gough Road, RR 2 Gorrie, Ontario
N0G 1X0 Phone: 1-877-366-4650

Duane Bauman BCIN 28073

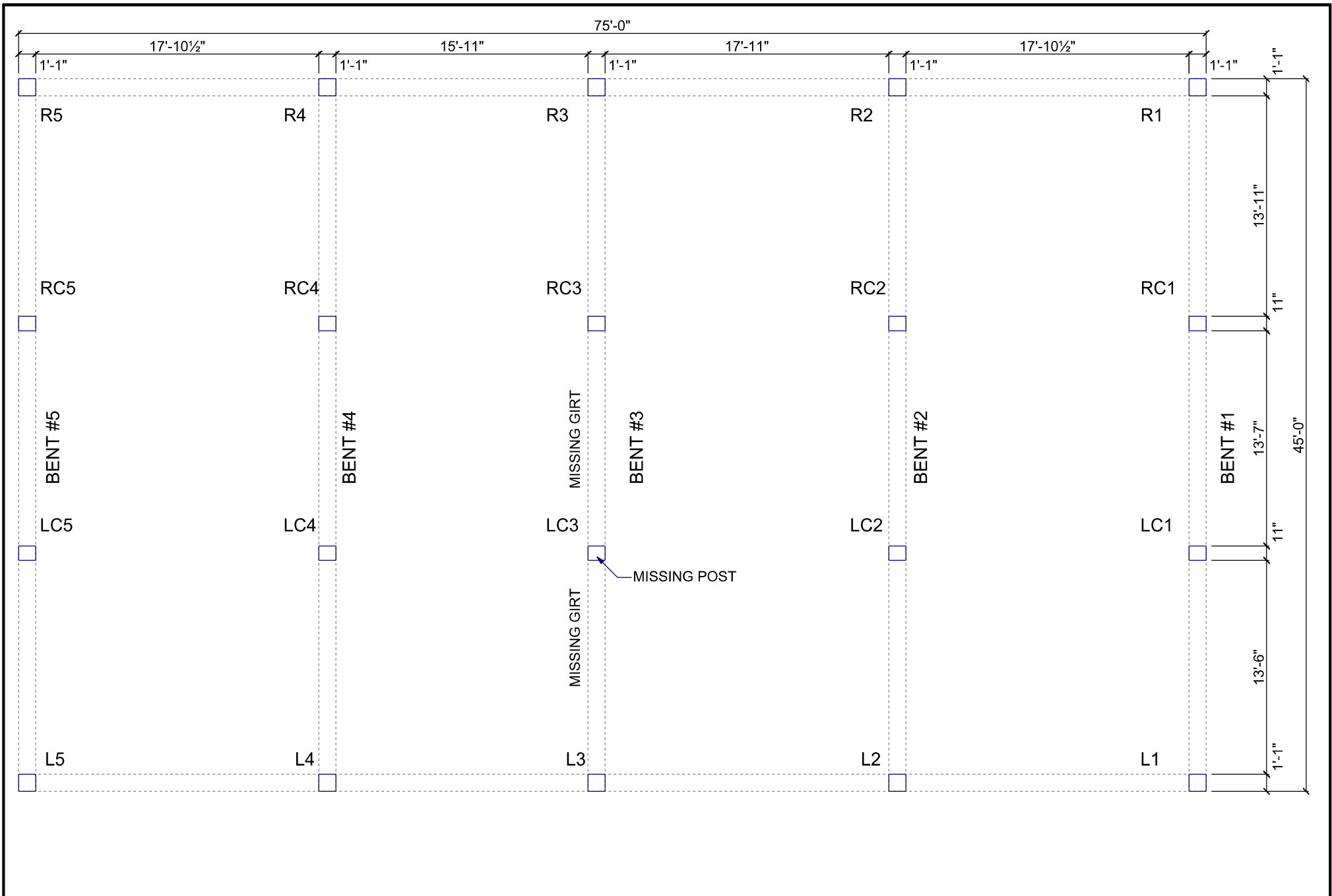
All timber shall be in sound condition. This design is subject to engineering and any authority having jurisdiction on the location of construction.

Dimensions may vary slightly because of hand-hewn timbers. Up to two inches of tolerance should be allowed.

Contact
ERIC VERSTEEG
CIRCLE ROCK Inc.
 1-519-357-8998 mobile
sales@circlerockinc.com
www.circlerockinc.com

Project Title
CARRICK Twp. FRAME
RECLAIMED FRAME
HAND HEWN TIMBER
 45'-0" X 75'-0"

Drawing COVER	
Scale NTS	Dwg. #
Date OCT 14, 2011	1 8
Drawn By K. MARTIN	



Date	Issue
OCT. 15 2011	EXISTING TIMBER DWGS.



Duane Bauman BCIN 28073

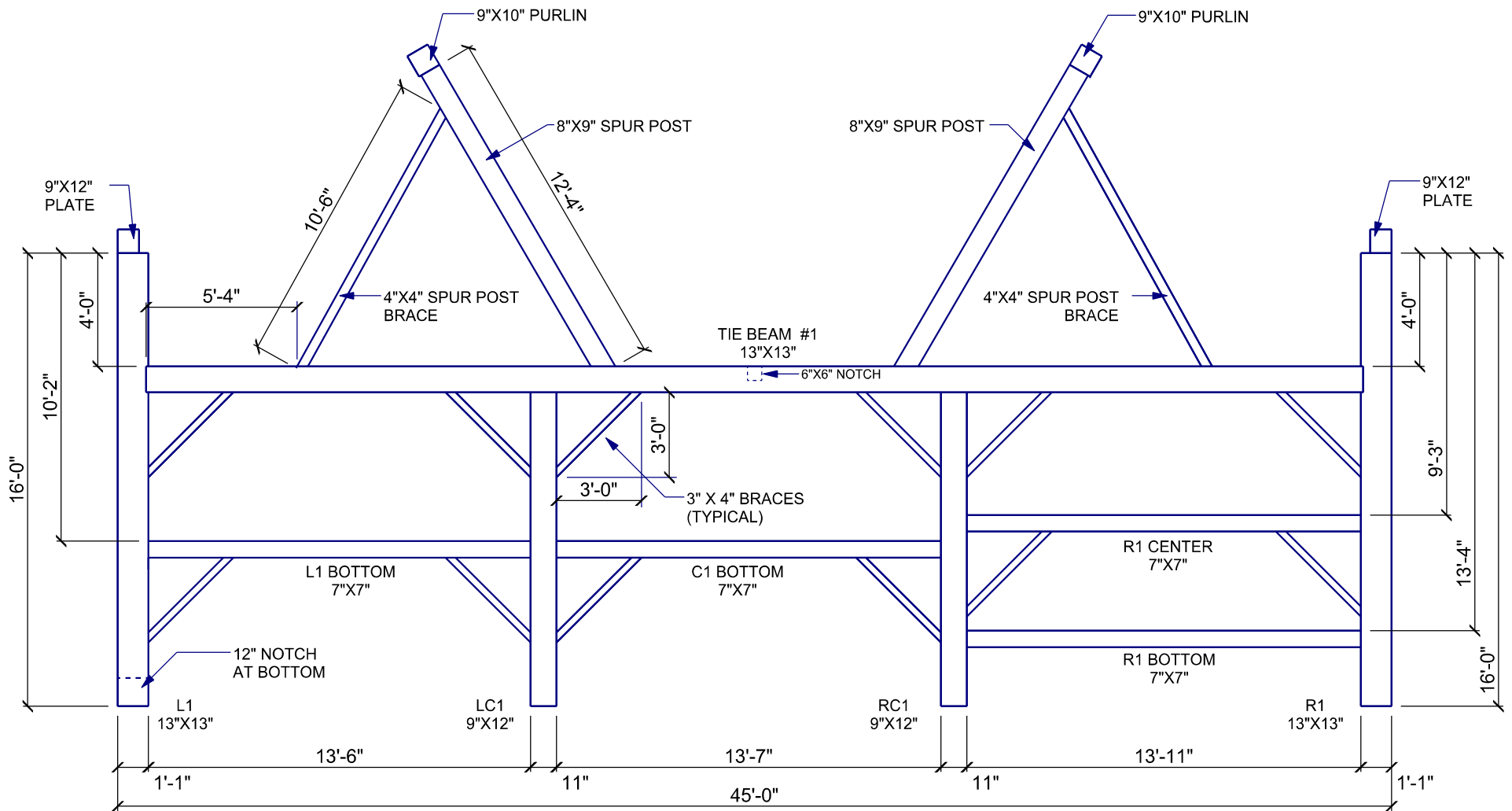
All timber shall be in sound condition. This design is subject to engineering and any authority having jurisdiction on the location of construction.

Dimensions may vary slightly because of hand-hewn timbers. Up to two inches of tolerance should be allowed.

Contact
ERIC VERSTEEG
CIRCLE ROCK Inc.
1-519-357-8998 mobile
sales@circlerockinc.com
www.circlerockinc.com

Project Title
CARRICK Twp. FRAME
RECLAIMED FRAME
HAND HEWN TIMBER
45'-0" X 75'-0"

Drawing		POST LAYOUT	
Scale	1/8" - 1'-0"	Dwg. #	2 8
Date	OCT 14, 2011		
Drawn By	K. MARTIN		



Date	Issue
OCT. 15 2011	EXISTING TIMBER DWGS.



44681 Gough Road, RR 2 Gorrie, Ontario
N0G 1X0 Phone: 1-877-366-4650

Duane Bauman BCIN 28073

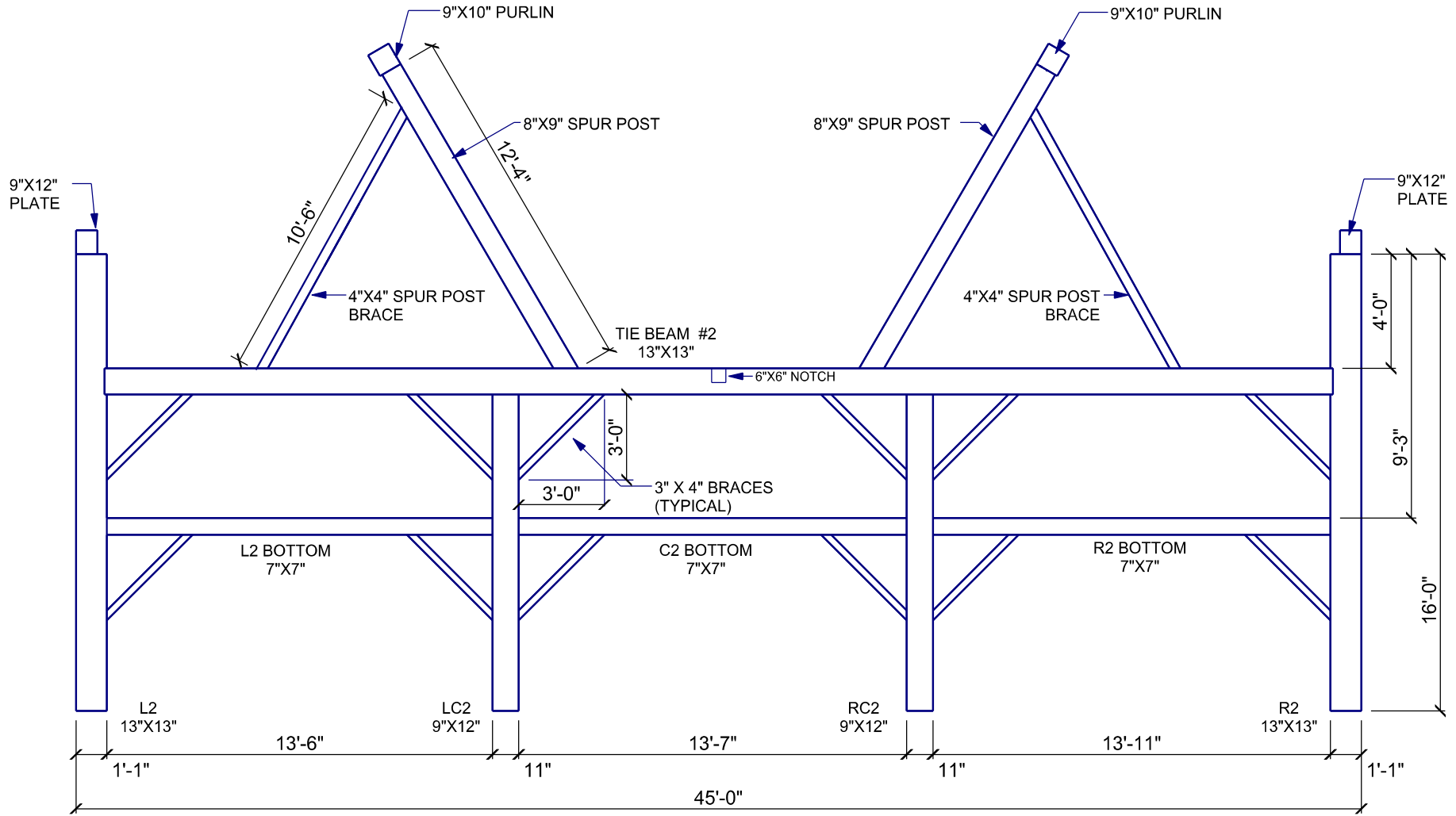
All timber shall be in sound condition. This design is subject to engineering and any authority having jurisdiction on the location of construction.

Dimensions may vary slightly because of hand-hewn timbers. Up to two inches of tolerance should be allowed.

Contact
ERIC VERSTEEG
CIRCLE ROCK Inc.
1-519-357-8998 mobile
sales@circlerockinc.com
www.circlerockinc.com

Project Title
CARRICK Twp. FRAME
RECLAIMED FRAME
HAND HEWN TIMBER
45'-0" X 75'-0"

Drawing		BENT 1	
Scale	3/16" - 1'-0"	Dwg. #	3 8
Date	OCT 14, 2011		
Drawn By	K. MARTIN		



Date	Issue
OCT. 15 2011	EXISTING TIMBER DWGS.



Duane Bauman BCIN 28073

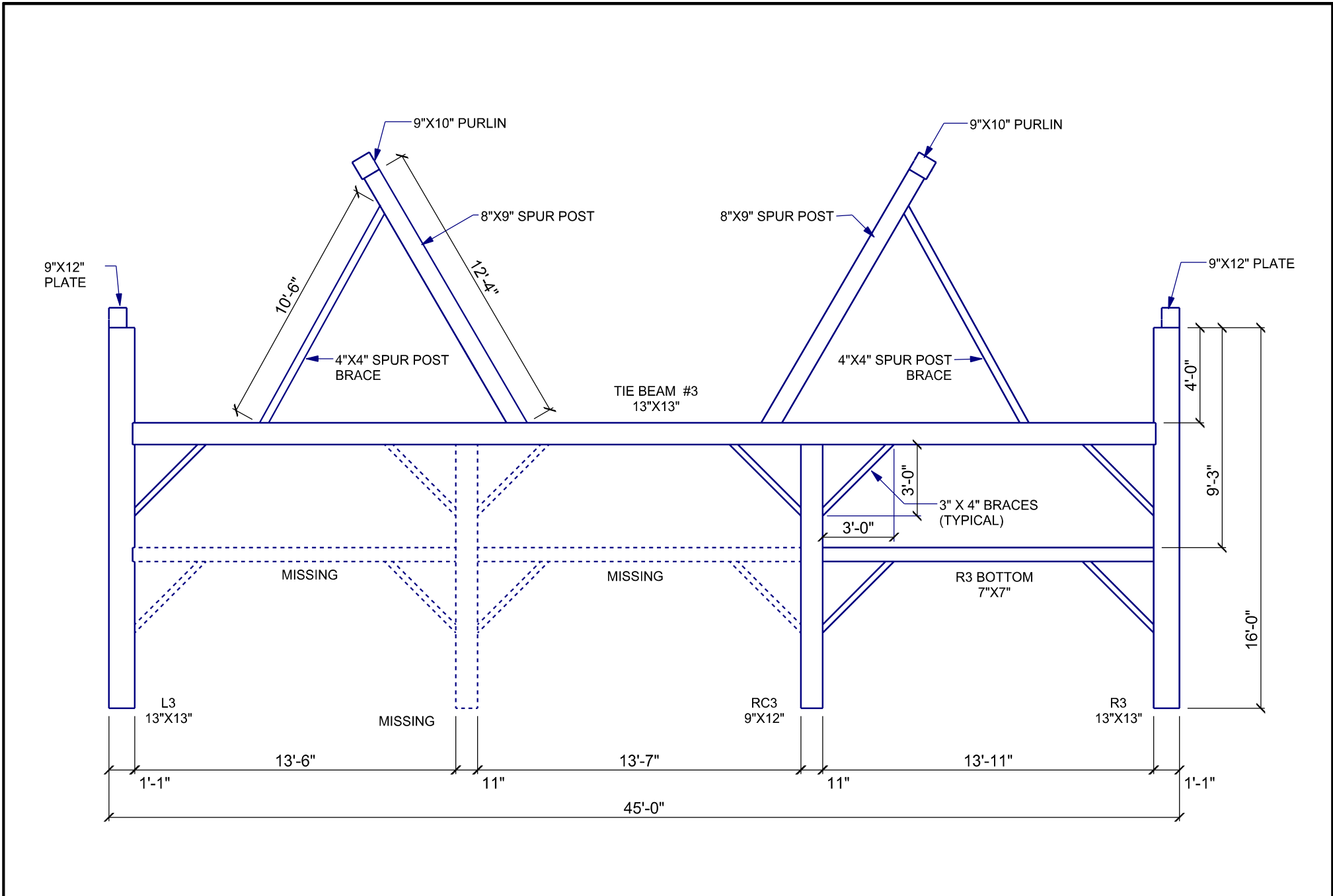
All timber shall be in sound condition. This design is subject to engineering and any authority having jurisdiction on the location of construction.

Dimensions may vary slightly because of hand-hewn timbers. Up to two inches of tolerance should be allowed.

Contact
ERIC VERSTEEG
 CIRCLE ROCK Inc.
 1-519-357-8998 mobile
 sales@circlerockinc.com
 www.circlerockinc.com

Project Title
CARRICK Twp. FRAME
RECLAIMED FRAME
HAND HEWN TIMBER
 45'-0" X 75'-0"

Drawing	
BENT 2	
Scale 3/16" - 1'-0"	Dwg. #
Date OCT 14, 2011	4 8
Drawn By K. MARTIN	



Date	Issue
OCT. 15 2011	EXISTING TIMBER DWGS.



Duane Bauman BCIN 28073

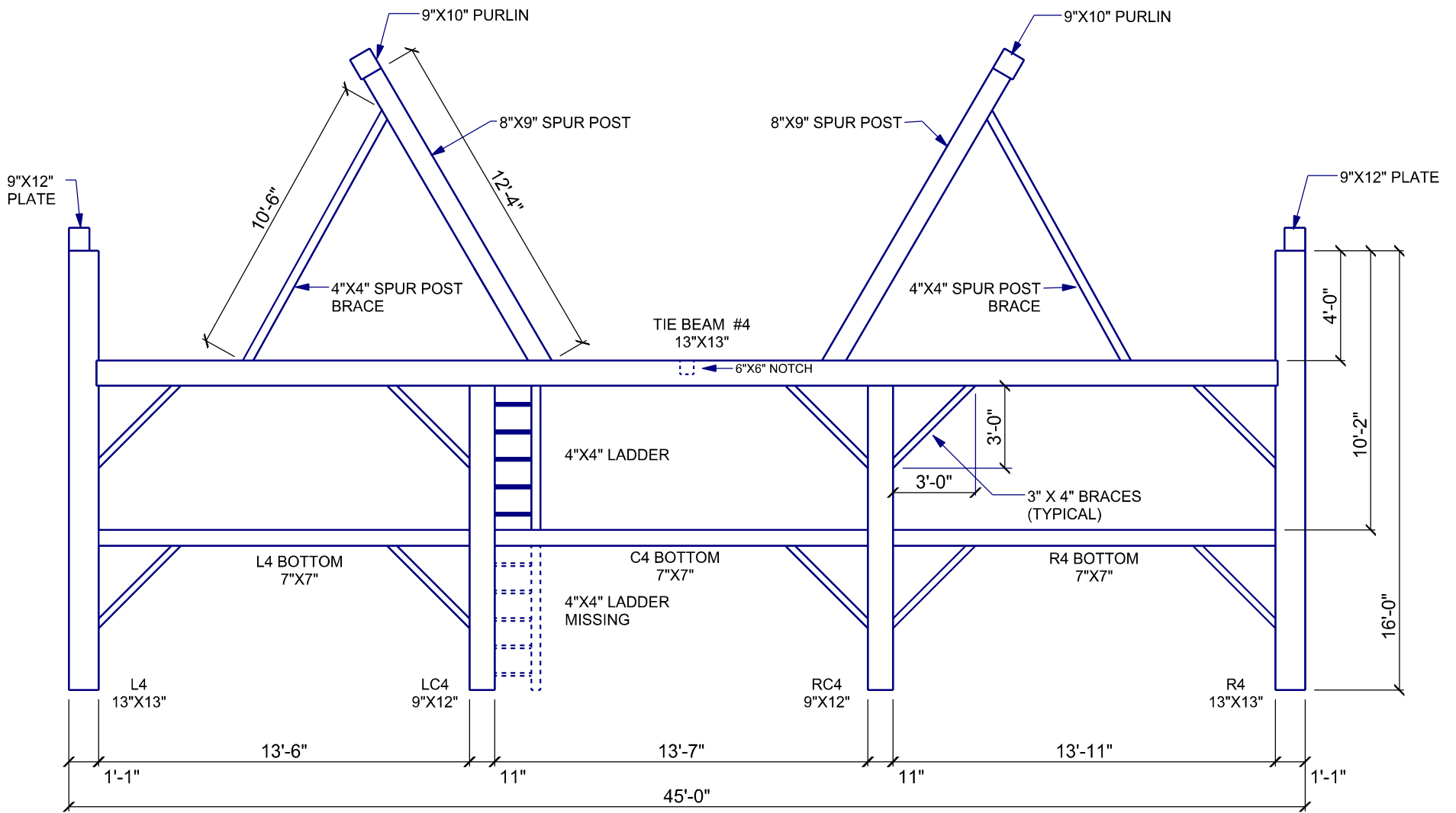
All timber shall be in sound condition. This design is subject to engineering and any authority having jurisdiction on the location of construction.

Dimensions may vary slightly because of hand-hewn timbers. Up to two inches of tolerance should be allowed.

Contact
ERIC VERSTEEG
CIRCLE ROCK Inc.
1-519-357-8998 mobile
sales@circlerockinc.com
www.circlerockinc.com

Project Title
CARRICK Twp. FRAME
RECLAIMED FRAME
HAND HEWN TIMBER
45'-0" X 75'-0"

Drawing		BENT 3	
Scale	3/16" - 1'-0"	Dwg. #	5 8
Date	OCT 14, 2011		
Drawn By	K. MARTIN		



Date	Issue
OCT. 15 2011	EXISTING TIMBER DWGS.



Duane Bauman BCIN 28073

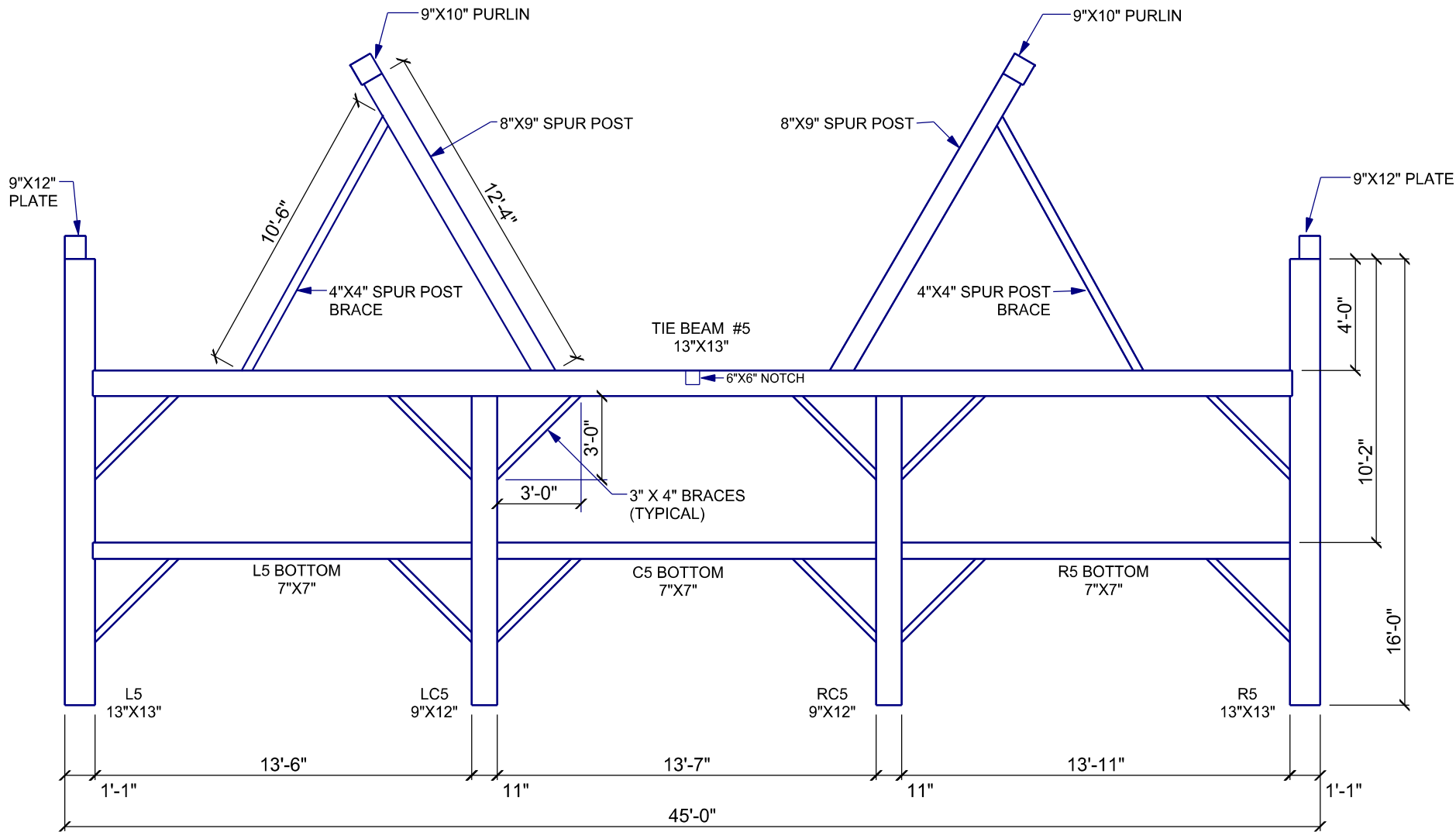
All timber shall be in sound condition. This design is subject to engineering and any authority having jurisdiction on the location of construction.

Dimensions may vary slightly because of hand-hewn timbers. Up to two inches of tolerance should be allowed.

Contact
ERIC VERSTEEG
 CIRCLE ROCK Inc.
 1-519-357-8998 mobile
 sales@circlerockinc.com
 www.circlerockinc.com

Project Title
CARRICK Twp. FRAME
RECLAIMED FRAME
HAND HEWN TIMBER
 45'-0" X 75'-0"

Drawing	
BENT 4	
Scale 3/16" - 1'-0"	Dwg. #
Date OCT 14, 2011	6 8
Drawn By K. MARTIN	



Date	Issue
OCT. 15 2011	EXISTING TIMBER DWGS.



Duane Bauman BCIN 28073

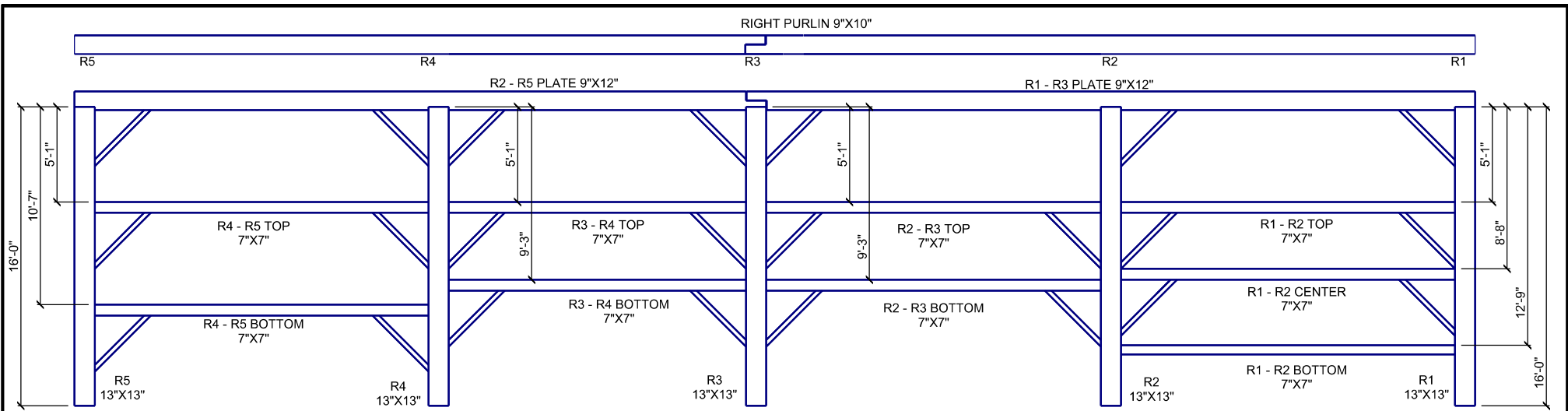
All timber shall be in sound condition. This design is subject to engineering and any authority having jurisdiction on the location of construction.

Dimensions may vary slightly because of hand-hewn timbers. Up to two inches of tolerance should be allowed.

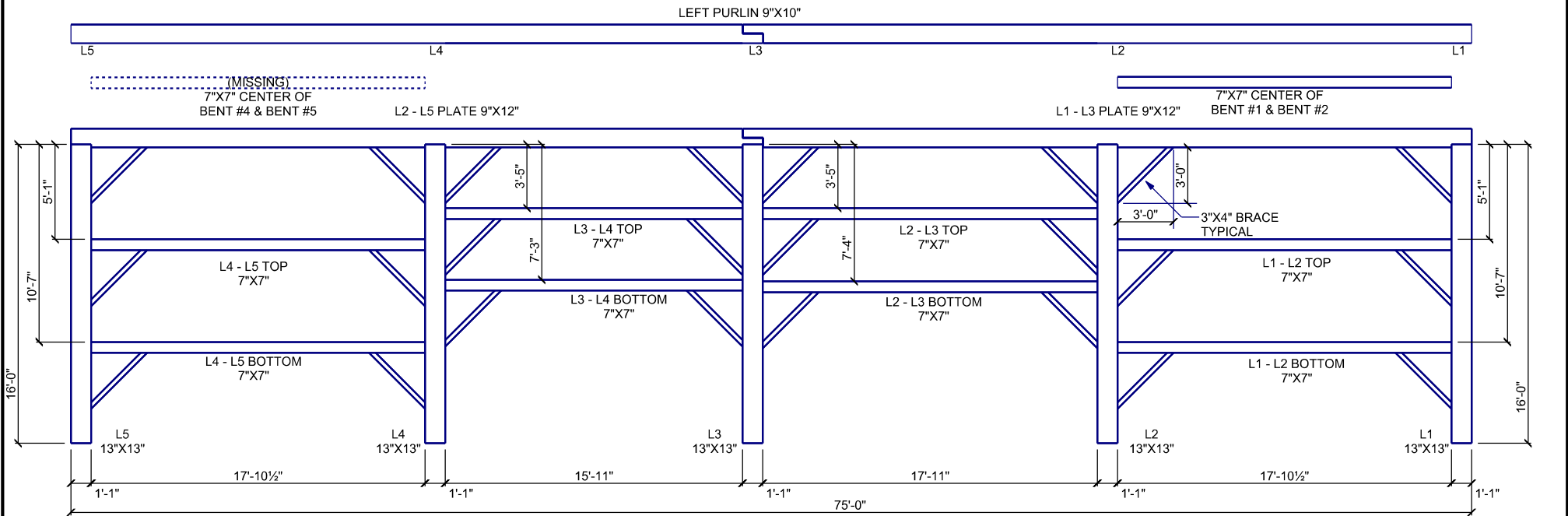
Contact
ERIC VERSTEEG
 CIRCLE ROCK Inc.
 1-519-357-8998 mobile
 sales@circlerockinc.com
 www.circlerockinc.com

Project Title
CARRICK Twp. FRAME
RECLAIMED FRAME
HAND HEWN TIMBER
 45'-0" X 75'-0"

Drawing		BENT 5	
Scale	3/16" - 1'-0"	Dwg. #	7 8
Date	OCT 14, 2011	7 8	
Drawn By	K. MARTIN		



RIGHT SIDEWALL



LEFT SIDEWALL

Date	Issue
OCT. 15 2011	EXISTING TIMBER DWGS.



Duane Bauman BCIN 28073

All timber shall be in sound condition. This design is subject to engineering and any authority having jurisdiction on the location of construction.

Dimensions may vary slightly because of hand-hewn timbers. Up to two inches of tolerance should be allowed.

Contact
ERIC VERSTEEG
 CIRCLE ROCK Inc.
 1-519-357-8998 mobile
 sales@circlerockinc.com
 www.circlerockinc.com

Project Title
CARRICK Twp. FRAME
RECLAIMED FRAME
HAND HEWN TIMBER
 45'-0" X 75'-0"

Drawing		SIDEWALLS	
Scale	1/8" = 1'-0"	Dwg. #	8 8
Date	OCT 14, 2011		
Drawn By	K. MARTIN		