

Date	Issue
OCT. 15 2011	EXISTING TIMBER DWGS.



44681 Gough Road, RR 2 Gorrie, Ontario
 NOG 1X0 Phone: 1-877-366-4650

Duane Bauman BCIN 28073

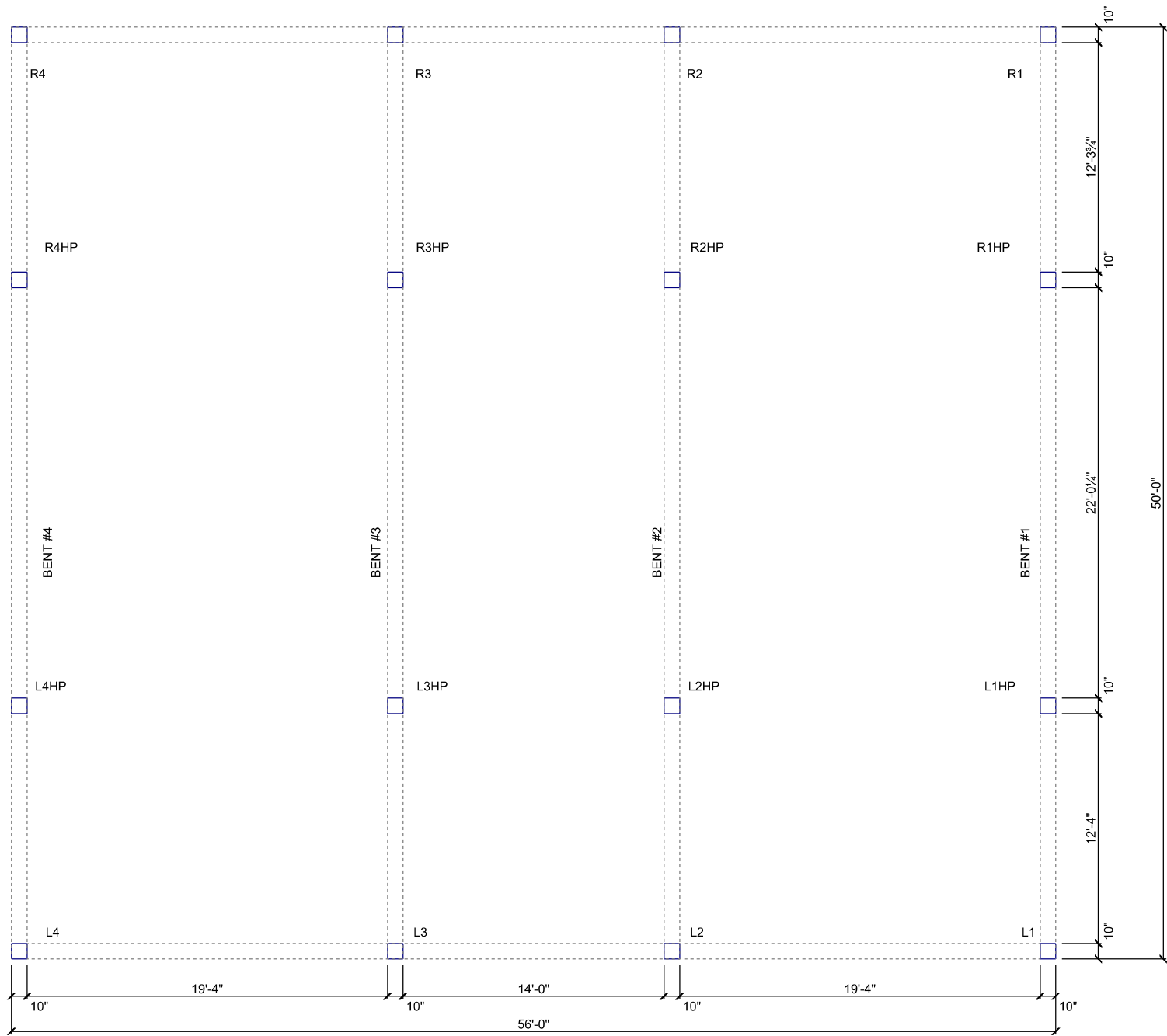
All timber shall be in sound condition. This design is subject to engineering and any authority having jurisdiction on the location of construction.

Dimensions may vary slightly because of hand-hewn timbers. Up to two inches of tolerance should be allowed.

Contact
ERIC VERSTEEG
CIRCLE ROCK Inc.
 1-519-357-8998 mobile
sales@circlerockinc.com
www.circlerockinc.com

Project Title
CULROSS Twp.
RECLAIMED FRAME
HAND HEWN TIMBER
 50'-0" X 56'-0"

Drawing		COVER	
Scale	NTS	Dwg. #	
Date	OCT 11, 2011	1 8	
Drawn By	K. MARTIN		



Date	Issue
OCT. 15 2011	EXISTING TIMBER DWGS.



44681 Gough Road, RR 2 Gorrie, Ontario
 NOG 1X0 Phone: 1-877-366-4650

Duane Bauman BCIN 28073

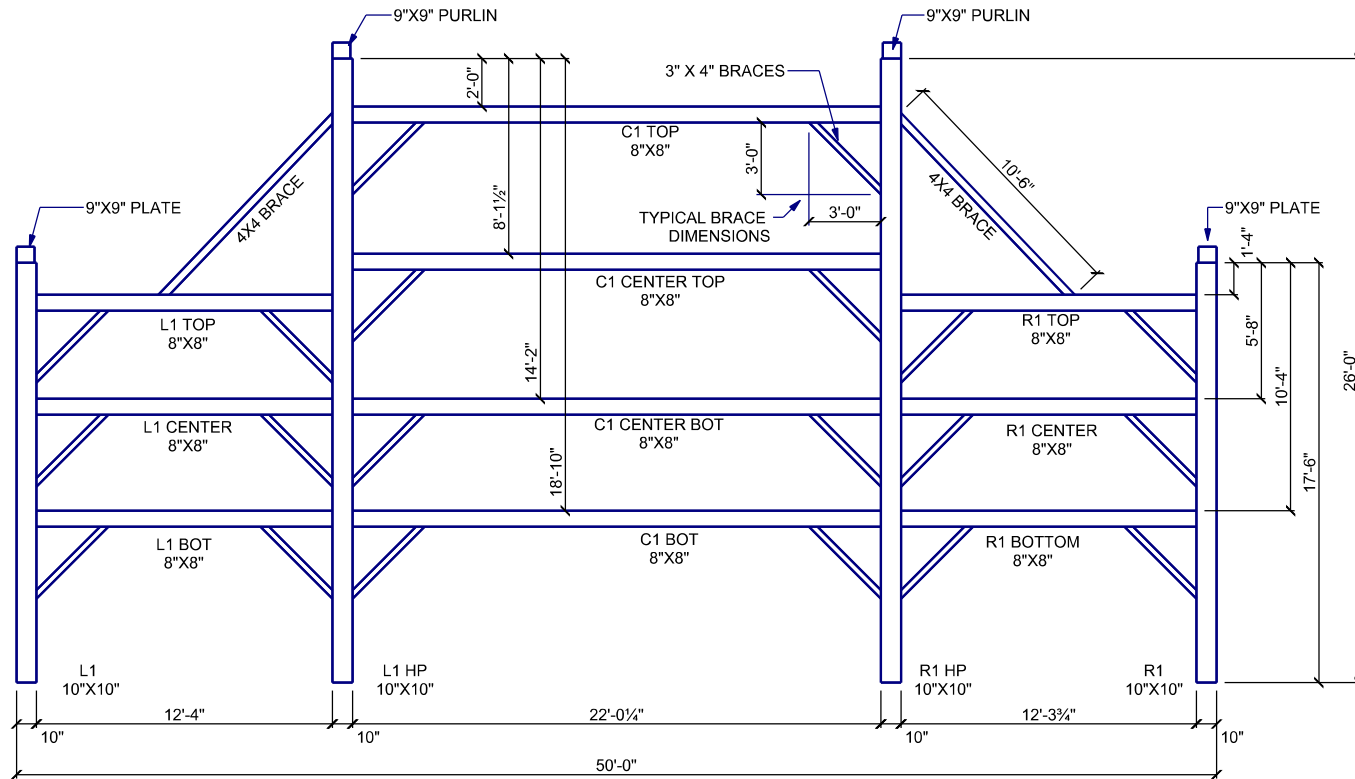
All timber shall be in sound condition. This design is subject to engineering and any authority having jurisdiction on the location of construction.

Dimensions may vary slightly because of hand-hewn timbers. Up to two inches of tolerance should be allowed.

Contact
ERIC VERSTEEG
CIRCLE ROCK Inc.
 1-519-357-8998 mobile
sales@circlerockinc.com
www.circlerockinc.com

Project Title
CULROSS Twp.
RECLAIMED FRAME
HAND HEWN TIMBER
 50'-0" X 56'-0"

Drawing
POST LAYOUT
 Scale 1/8" = 1'-0"
 Date OCT 11, 2011
 Drawn By K. MARTIN
2 | 8



Date	Issue
OCT. 15 2011	EXISTING TIMBER DWGS.



44681 Gough Road, RR 2 Gorrie, Ontario
 NOG 1X0 Phone: 1-877-366-4650

Duane Bauman BCIN 28073

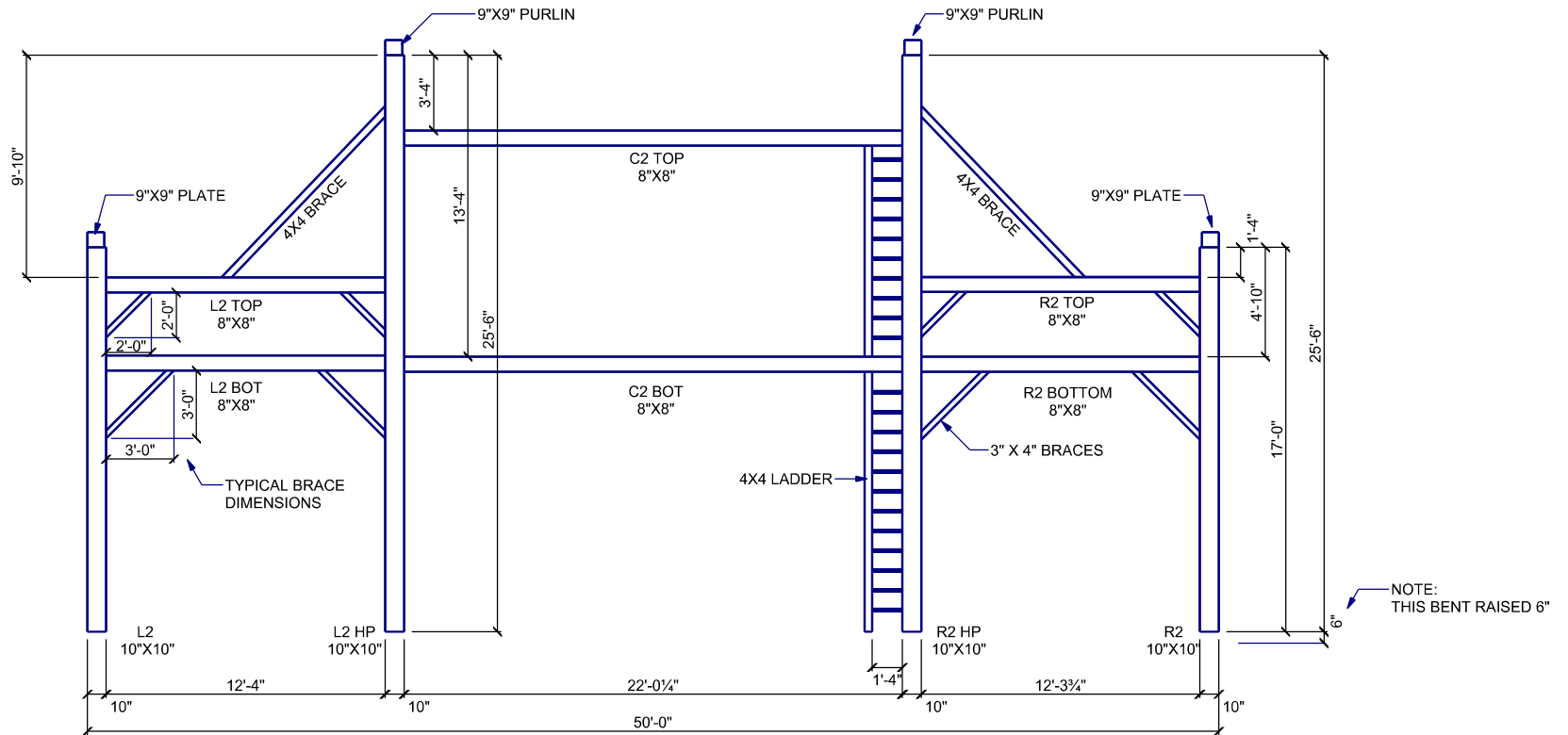
All timber shall be in sound condition. This design is subject to engineering and any authority having jurisdiction on the location of construction.

Dimensions may vary slightly because of hand-hewn timbers. Up to two inches of tolerance should be allowed.

Contact
 ERIC VERSTEEG
 CIRCLE ROCK Inc.
 1-519-357-8998 mobile
 sales@circlerockinc.com
 www.circlerockinc.com

Project Title
 CULROSS Twp.
 RECLAIMED FRAME
 HAND HEWN TIMBER
 50'-0" X 56'-0"

Drawing	
BENT 1	
Scale 1/8" = 1'-0"	Dwg.#
Date OCT 11, 2011	3 8
Drawn By K. MARTIN	



Date	Issue
OCT. 15 2011	EXISTING TIMBER DWGS.



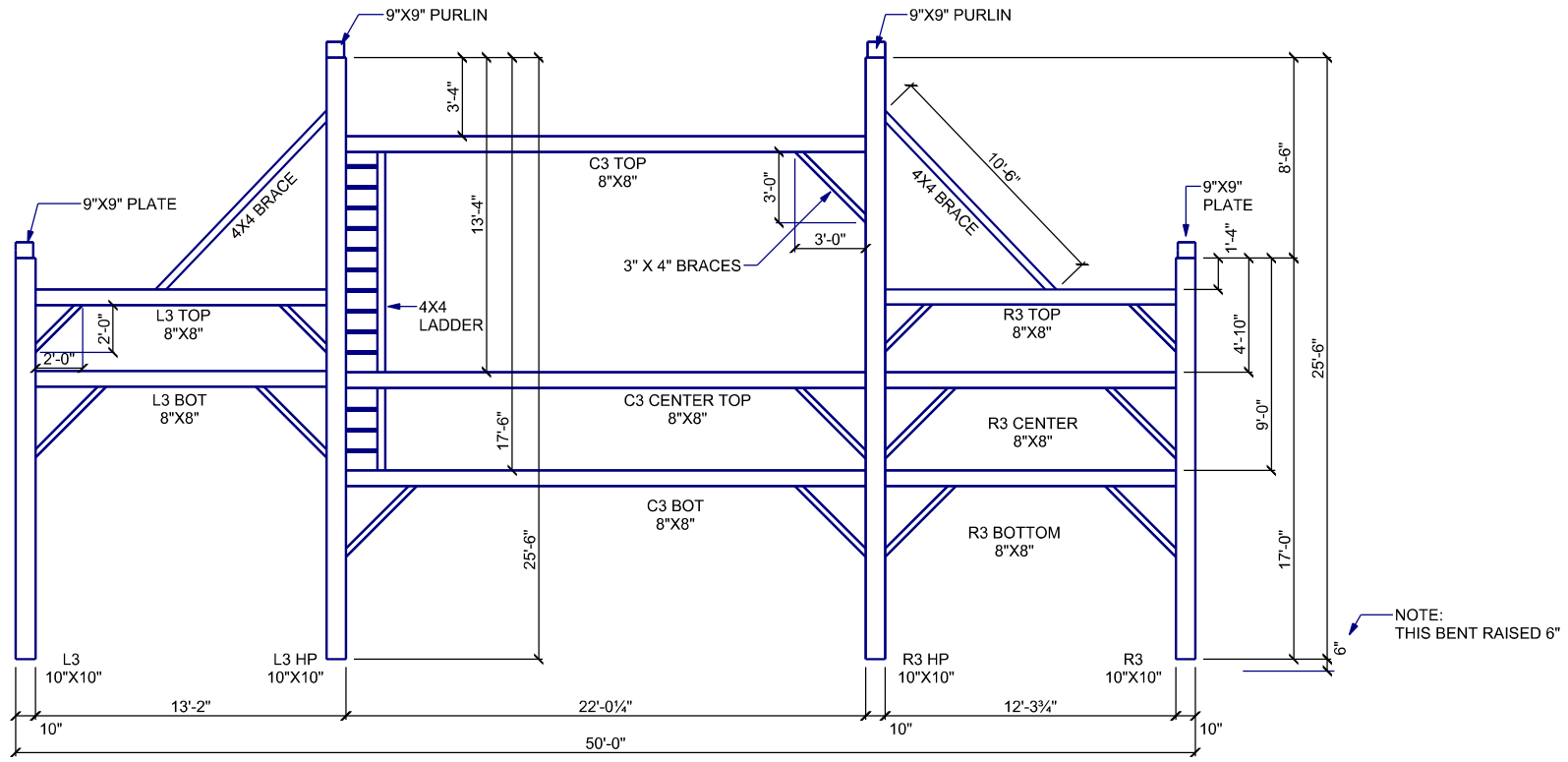
44681 Gough Road, RR 2 Gorrie, Ontario
 NOG 1X0 Phone: 1-877-366-4650

Duane Bauman BCIN 28073

All timber shall be in sound condition. This design is subject to engineering and any authority having jurisdiction on the location of construction.

Dimensions may vary slightly because of hand-hewn timbers. Up to two inches of tolerance should be allowed.

Contact	Project Title	Drawing
ERIC VERSTEEG CIRCLE ROCK Inc. 1-519-357-8998 mobile sales@circlerockinc.com www.circlerockinc.com	CULROSS Twp. RECLAIMED FRAME HAND HEWN TIMBER 50'-0" X 56'-0"	BENT 2
		Scale 1/8" = 1'-0"
		Date OCT 11, 2011
		Drawn By K. MARTIN
		Dwg.# 4 8



NOTE:
THIS BENT RAISED 6"

Date	Issue
OCT. 15 2011	EXISTING TIMBER DWGS.



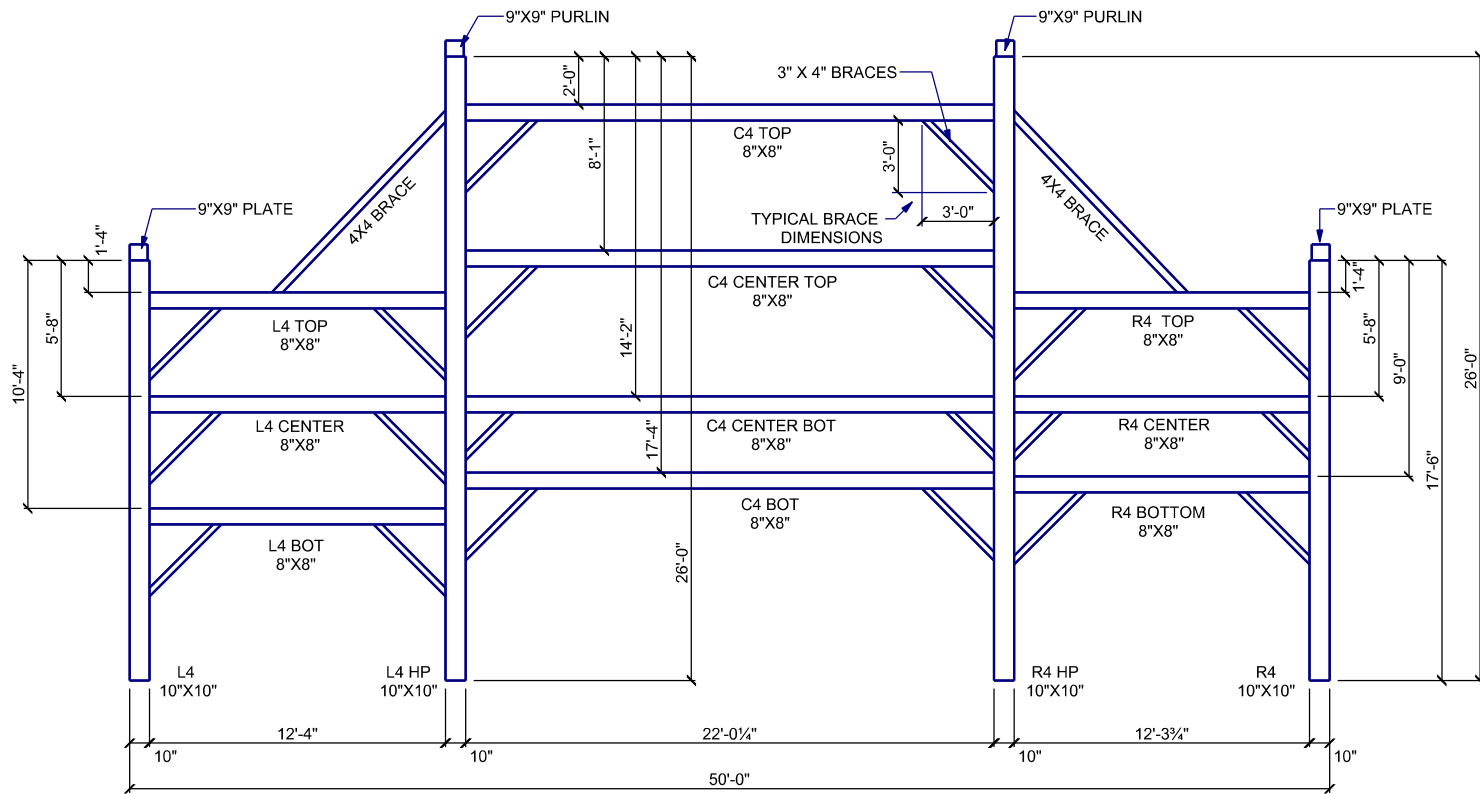
 44681 Gough Road, RR 2 Gorrie, Ontario
 NOG 1X0 Phone: 1-877-366-4650
 Duane Bauman BCIN 28073

All timber shall be in sound condition. This design is subject to engineering and any authority having jurisdiction on the location of construction.
 Dimensions may vary slightly because of hand-hewn timbers. Up to two inches of tolerance should be allowed.

Contact
ERIC VERSTEEG
CIRCLE ROCK Inc.
 1-519-357-8998 mobile
 sales@circlerockinc.com
 www.circlerockinc.com

Project Title
CULROSS Twp.
RECLAIMED FRAME
HAND HEWN TIMBER
 50'-0" X 56'-0"

Drawing		BENT 3	
Scale	1/8" = 1'-0"	Dwg.#	5 8
Date	OCT 11, 2011		
Drawn By	K. MARTIN		



Date	Issue
OCT. 15 2011	EXISTING TIMBER DWGS.



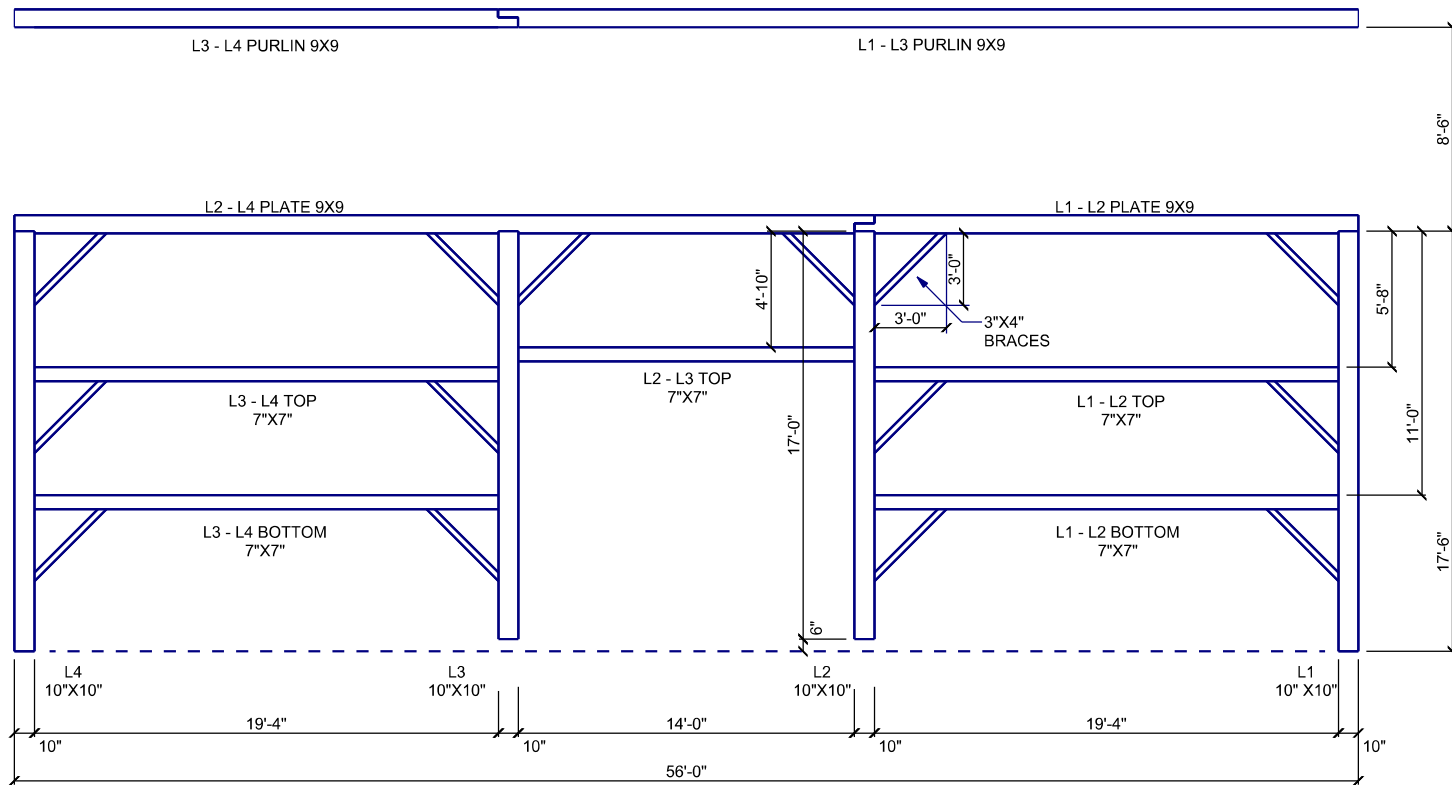
44681 Gough Road, RR 2 Gorrie, Ontario
 NOG 1X0 Phone: 1-877-366-4650

Duane Bauman BCIN 28073

All timber shall be in sound condition. This design is subject to engineering and any authority having jurisdiction on the location of construction.

Dimensions may vary slightly because of hand-hewn timbers. Up to two inches of tolerance should be allowed.

Contact	Project Title	Drawing	
ERIC VERSTEEG CIRCLE ROCK Inc. 1-519-357-8998 mobile sales@circlerockinc.com www.circlerockinc.com	CULROSS Twp. RECLAIMED FRAME HAND HEWN TIMBER 50'-0" X 56'-0"	BENT 4	
		Scale 1/8" = 1'-0"	Dwg.#
		Date OCT 11, 2011	6 8
		Drawn By K. MARTIN	



Date	Issue
OCT. 15 2011	EXISTING TIMBER DWGS.



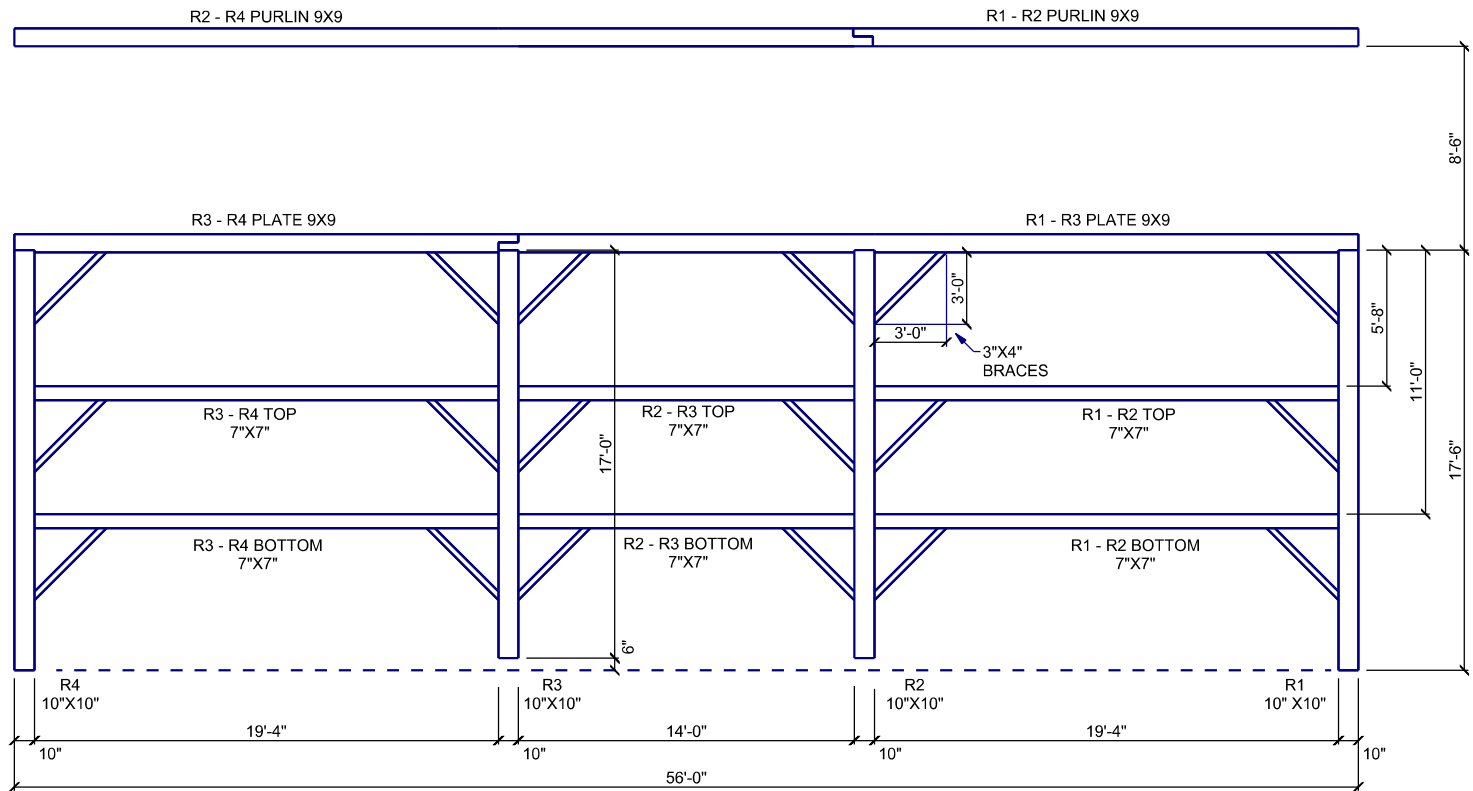
44681 Gough Road, RR 2 Gorrie, Ontario
 NOG 1X0 Phone: 1-877-366-4650

Duane Bauman BCIN 28073

All timber shall be in sound condition. This design is subject to engineering and any authority having jurisdiction on the location of construction.

Dimensions may vary slightly because of hand-hewn timbers. Up to two inches of tolerance should be allowed.

Contact	Project Title	Drawing	
ERIC VERSTEEG CIRCLE ROCK Inc. 1-519-357-8998 mobile sales@circlerockinc.com www.circlerockinc.com	CULROSS Twp. RECLAIMED FRAME HAND HEWN TIMBER 50'-0" X 56'-0"	LEFT SIDE	
		Scale	1/8" = 1'-0"
		Date	OCT 11, 2011
		Drawn By	K. MARTIN
		7	8



Date	Issue
OCT. 15 2011	EXISTING TIMBER DWGS.



44681 Gough Road, RR 2 Gorrie, Ontario
 NOG 1X0 Phone: 1-877-366-4650

Duane Bauman BCIN 28073

All timber shall be in sound condition. This design is subject to engineering and any authority having jurisdiction on the location of construction.

Dimensions may vary slightly because of hand-hewn timbers. Up to two inches of tolerance should be allowed.

Contact
ERIC VERSTEEG
CIRCLE ROCK Inc.
 1-519-357-8998 mobile
 sales@circlerockinc.com
 www.circlerockinc.com

Project Title
CULROSS Twp.
RECLAIMED FRAME
HAND HEWN TIMBER
 50'-0" X 56'-0"

Drawing
RIGHT SIDE
 Scale 1/8" = 1'-0"
 Date OCT 11, 2011
 Drawn By K. MARTIN
 Dwg.# **8** | **8**