

These documents are instruments of service and are the property of Star Blueprints Inc. They may not be reproduced, altered or reused without the expressed written consent of Star Blueprints Inc.

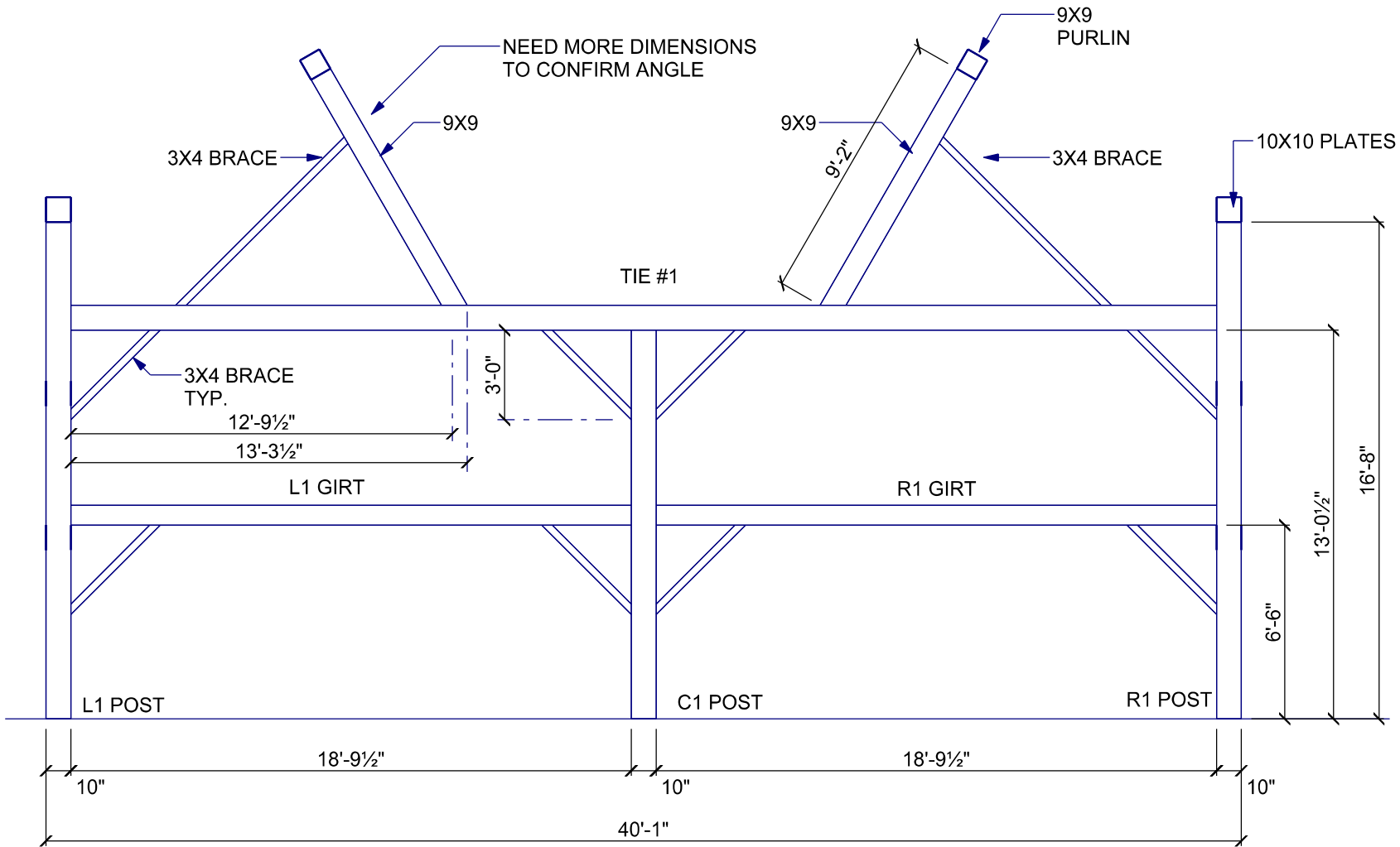
Date	Issue
SEPT. 26 2011	EXISTING TIMBER DWGS.



44681 Gough Road, RR 2 Gorrie, Ontario N0G 1X0 Phone: 1-877-366-4650

All timber shall be in sound condition. This design is subject to engineering and any authority having jurisdiction on the location of construction.

Dimensions may vary slightly because of hand-hewn timbers. Up to two inches of tolerance should be allowed.



Contact **ERIC VERSTEEG**
CIRCLE ROCK Inc.
 1-519-357-8998 mobile
 sales@circlerockinc.com
 www.circlerockinc.com

Project Title
PUSLINCH Twp.
RECLAIMED FRAME
HAND HEWN TIMBER
40'-1" X 60'-1 1/2"

Drawing
BENT #1

Scale	3/16" = 1'	Dwg. #	1 7
Date	SEPT 23, 2011		
Drawn By	K. MARTIN		

These documents are instruments of service and are the property of Star Blueprints Inc. They may not be reproduced, altered or reused without the expressed written consent of Star Blueprints Inc.

Date	Issue
SEPT. 26 2011	EXISTING TIMBER DWGS.



44681 Gough Road, RR 2 Gorrie, Ontario N0G 1X0 Phone: 1-877-366-4650

All timber shall be in sound condition. This design is subject to engineering and any authority having jurisdiction on the location of construction.

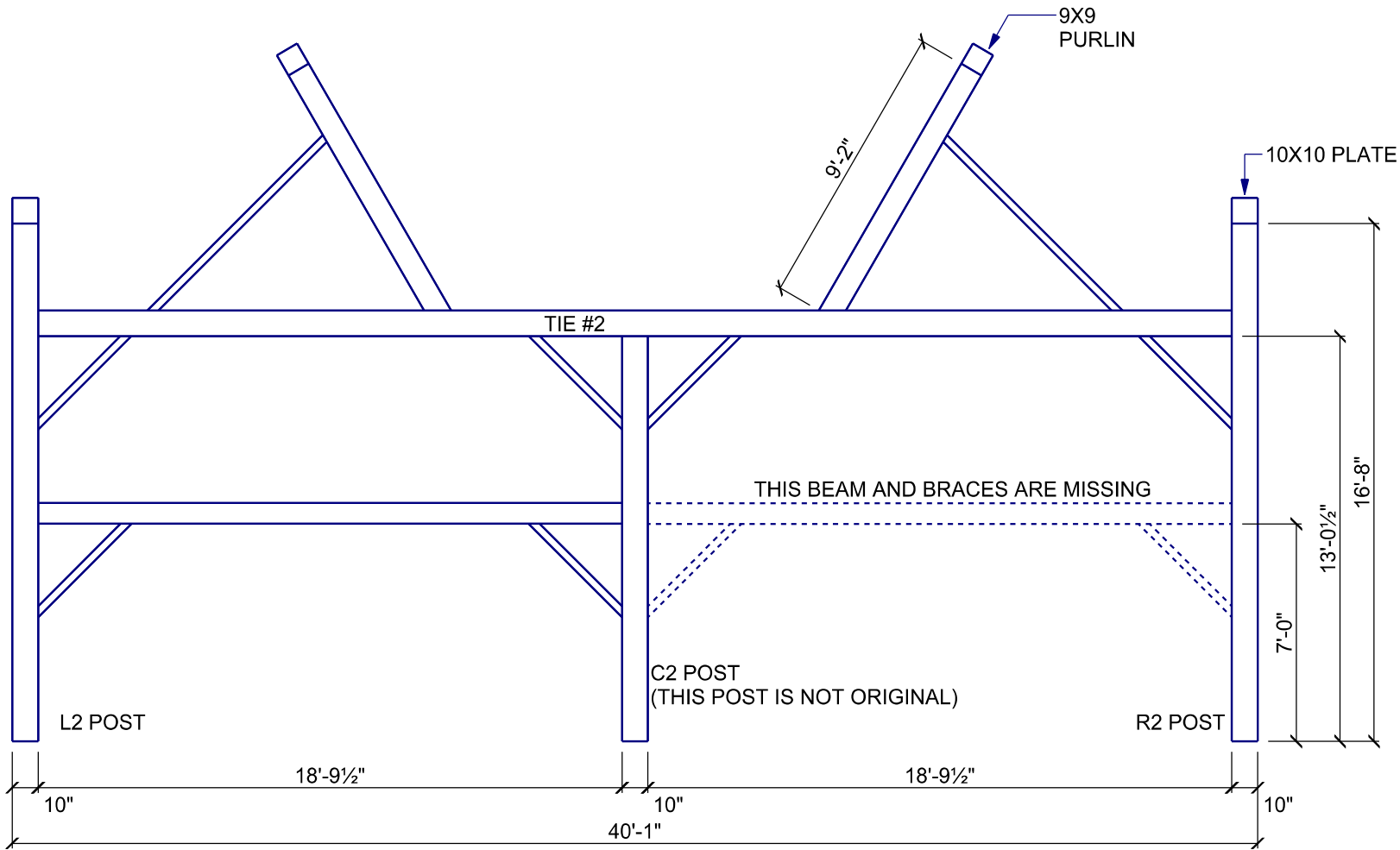
Dimensions may vary slightly because of hand-hewn timbers. Up to two inches of tolerance should be allowed.

Contact **ERIC VERSTEEG**
CIRCLE ROCK Inc.
 1-519-357-8998 mobile
 sales@circlerockinc.com
 www.circlerockinc.com

Project Title
PUSLINCH Twp.
RECLAIMED FRAME
HAND HEWN TIMBER
40'-1" X 60'-1 1/2"

Drawing
BENT #2

Scale	3/16" = 1'	Dwg. #	2 7
Date	SEPT 23, 2011		
Drawn By	K. MARTIN		



These documents are instruments of service and are the property of Star Blueprints Inc. They may not be reproduced, altered or reused without the expressed written consent of Star Blueprints Inc.

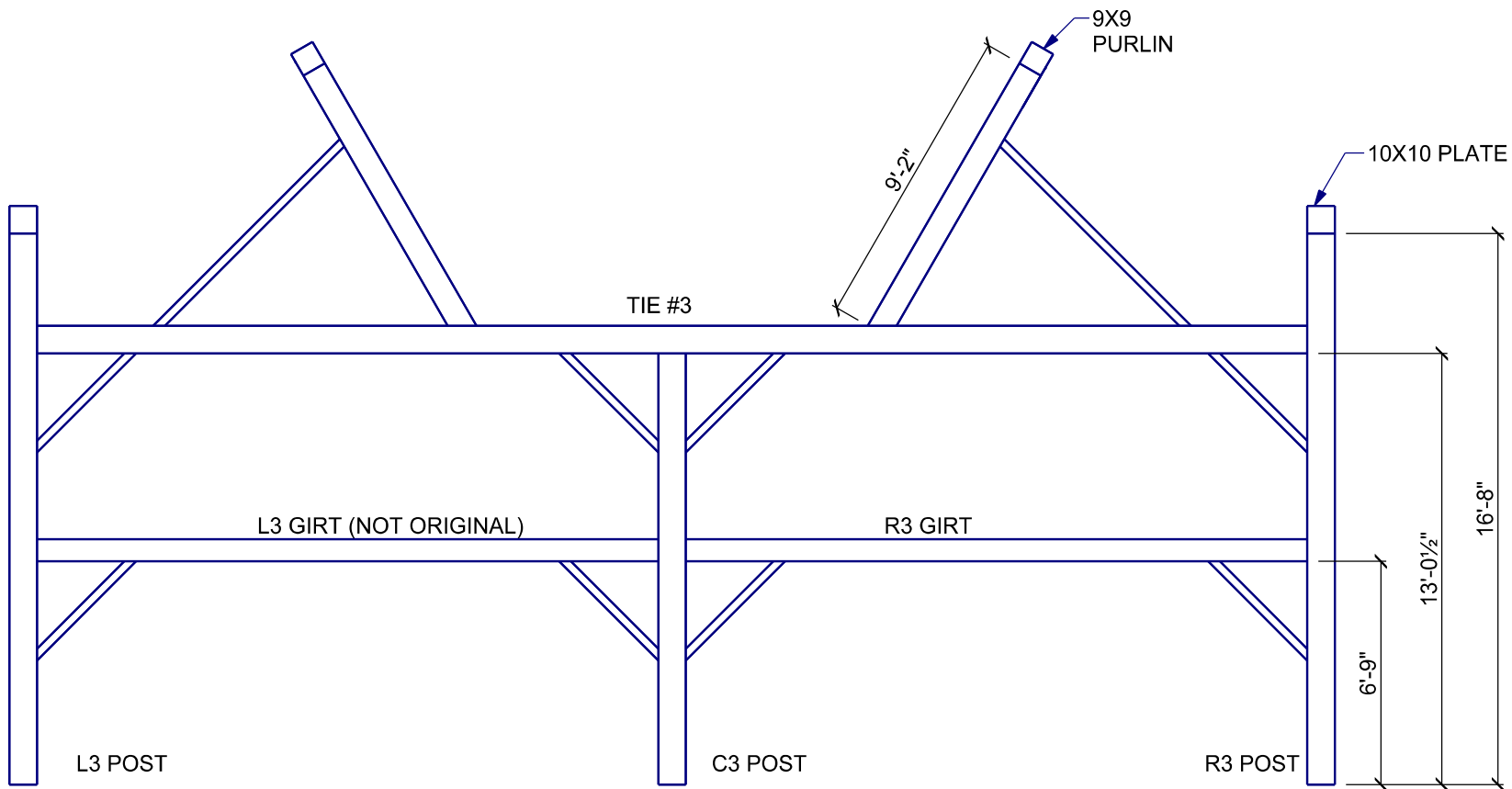
Date	Issue
SEPT. 26 2011	EXISTING TIMBER DWGS.



44681 Gough Road, RR 2 Gorrie, Ontario N0G 1X0 Phone: 1-877-366-4650

All timber shall be in sound condition. This design is subject to engineering and any authority having jurisdiction on the location of construction.

Dimensions may vary slightly because of hand-hewn timbers. Up to two inches of tolerance should be allowed.



Contact **ERIC VERSTEEG**
CIRCLE ROCK Inc.
 1-519-357-8998 mobile
 sales@circlerockinc.com
 www.circlerockinc.com

Project Title
PUSLINCH Twp.
RECLAIMED FRAME
HAND HEWN TIMBER
40'-1" X 60'-1 1/2"

Drawing
BENT #3

Scale	3/16" = 1'	Dwg. #	3 7
Date	SEPT 23, 2011		
Drawn By	K. MARTIN		

These documents are instruments of service and are the property of Star Blueprints Inc. They may not be reproduced, altered or reused without the expressed written consent of Star Blueprints Inc.

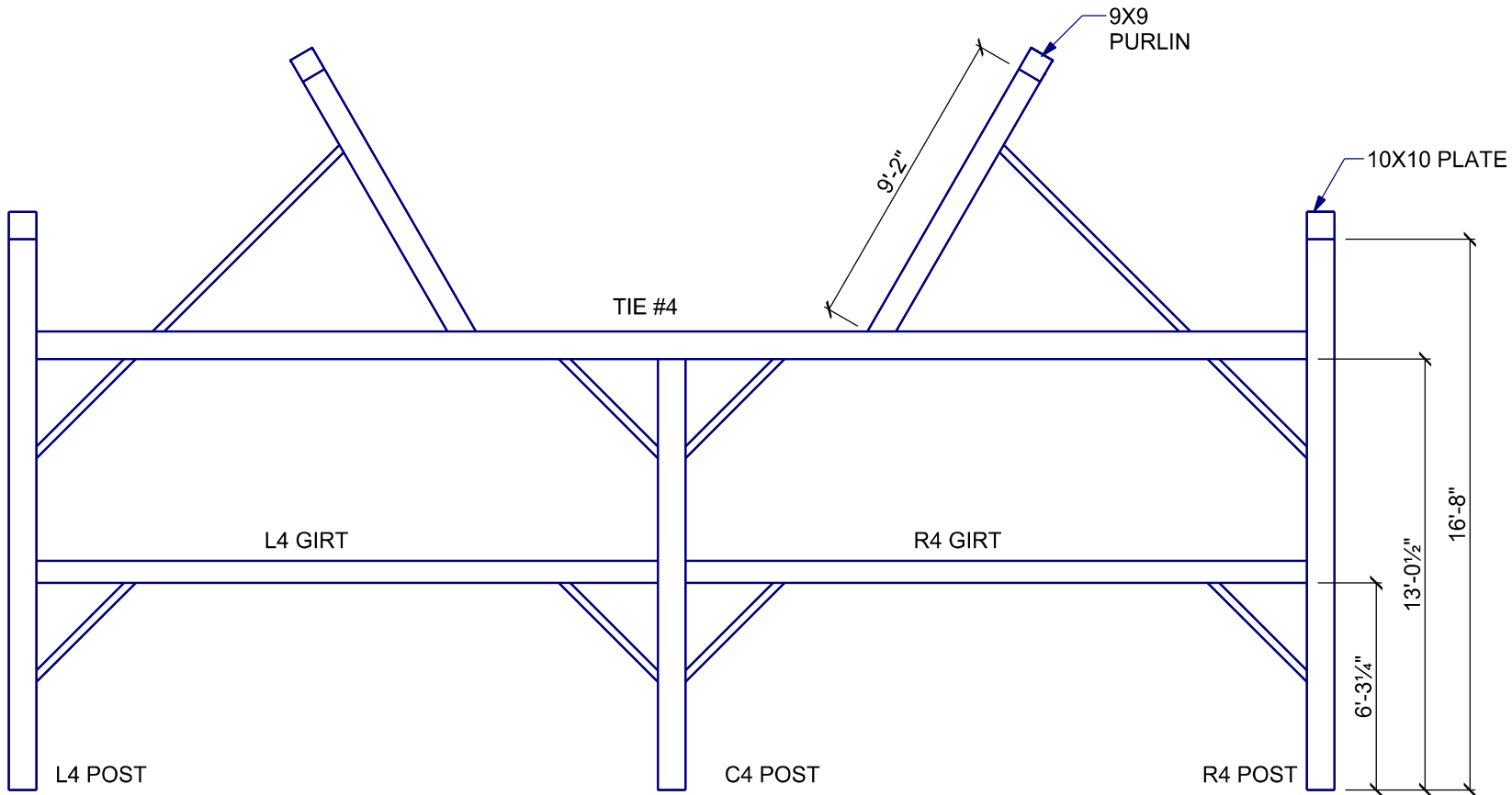
Date	Issue
SEPT. 26 2011	EXISTING TIMBER DWGS.



44681 Gough Road, RR 2 Gorrie, Ontario N0G 1X0 Phone: 1-877-366-4650

All timber shall be in sound condition. This design is subject to engineering and any authority having jurisdiction on the location of construction.

Dimensions may vary slightly because of hand-hewn timbers. Up to two inches of tolerance should be allowed.

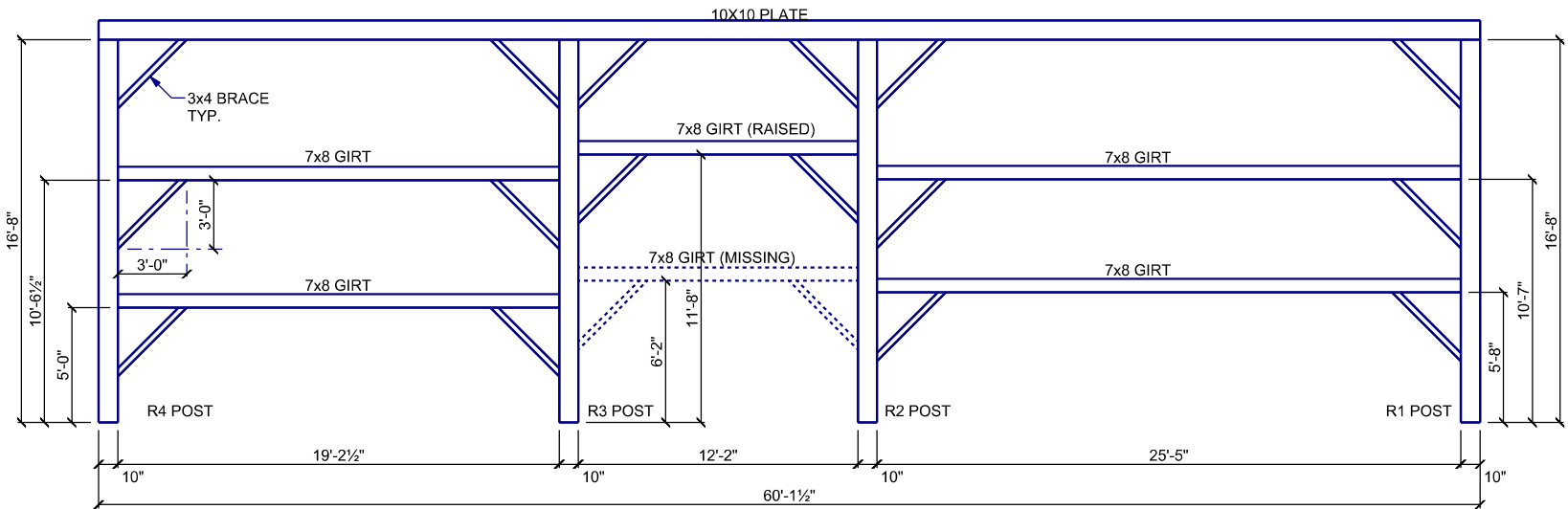


Contact **ERIC VERSTEEG**
CIRCLE ROCK Inc.
 1-519-357-8998 mobile
 sales@circlerockinc.com
 www.circlerockinc.com

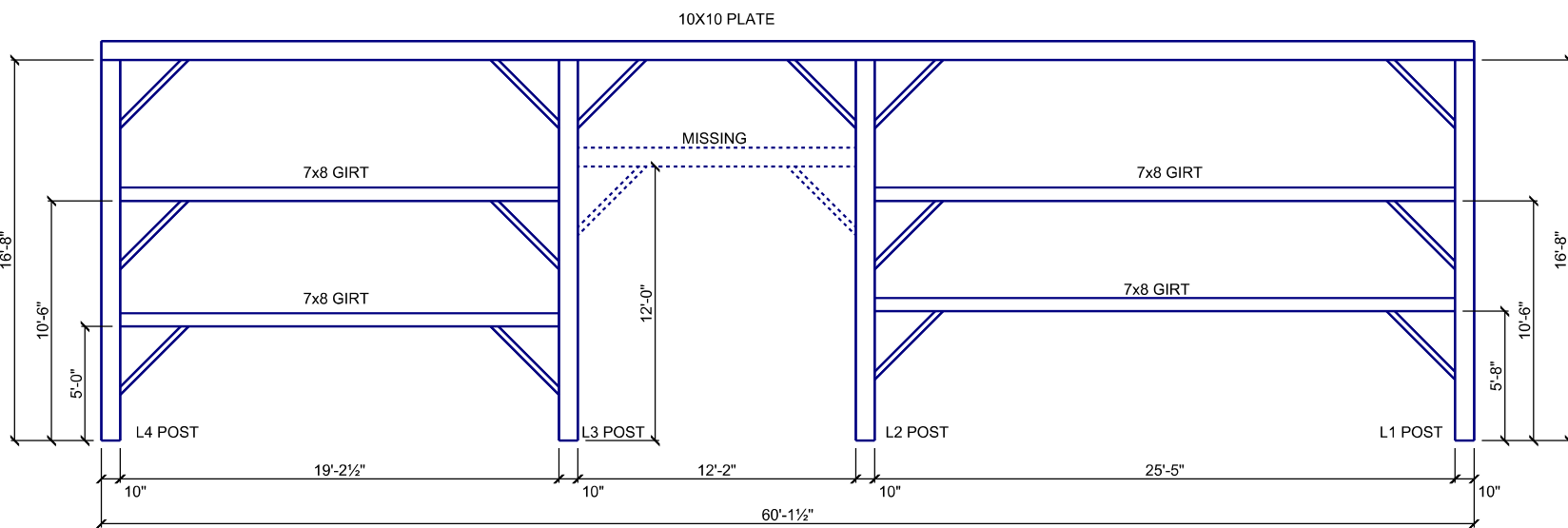
Project Title
PUSLINCH Twp.
RECLAIMED FRAME
HAND HEWN TIMBER
40'-1" X 60'-1 1/2"

Drawing
BENT #4

Scale	3/16" = 1'	Dwg. #	4 7
Date	SEPT 23, 2011	Drawn By	
K. MARTIN			



RIGHT SIDE



LEFT SIDE

These documents are instruments of service and are the property of Star Blueprints Inc. They may not be reproduced, altered or reused without the expressed written consent of Star Blueprints Inc.

Date	Issue
SEPT. 26 2011	EXISTING TIMBER DWGS.

44681 Gough Road, RR 2 Gorrie, Ontario NOG 1X0 Phone: 1-877-366-4650

All timber shall be in sound condition. This design is subject to engineering and any authority having jurisdiction on the location of construction.

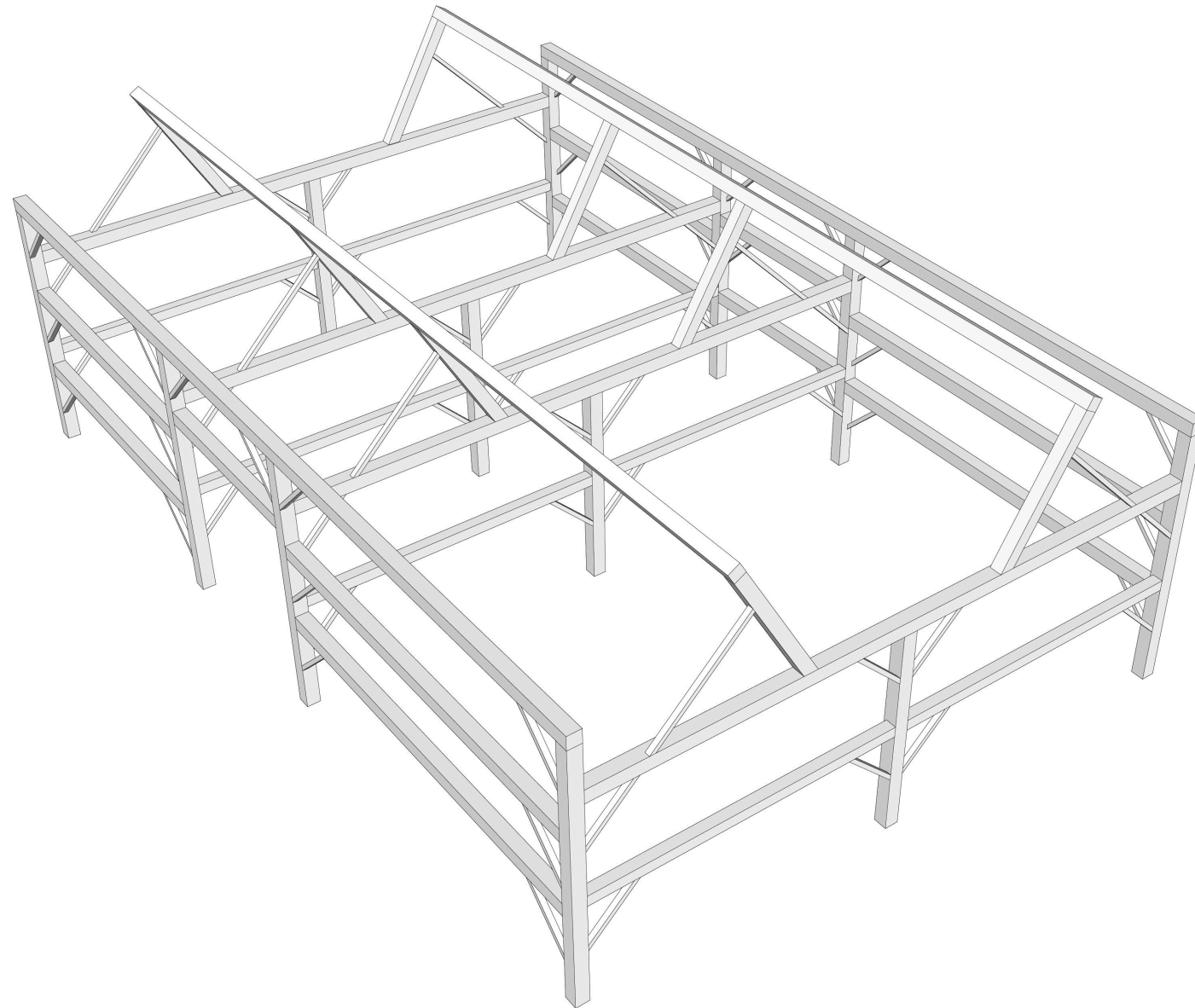
Dimensions may vary slightly because of hand-hewn timbers. Up to two inches of tolerance should be allowed.

Contact **ERIC VERSTEEG**
CIRCLE ROCK Inc.
 1-519-357-8998 mobile
 sales@circlerockinc.com
 www.circlerockinc.com

Project Title
PUSLINCH Twp.
RECLAIMED FRAME
HAND HEWN TIMBER
40'-1" X 60'-1 1/2"

Drawing
RIGHT SIDE & LEFT SIDE

Scale	1/8" = 1'	Dwg. #	5 7
Date	SEPT 23, 2011		
Drawn By	K. MARTIN		



These documents are instruments of service and are the property of Star Blueprints Inc. They may not be reproduced, altered or reused without the expressed written consent of Star Blueprints Inc.

Date	Issue
SEPT. 26 2011	EXISTING TIMBER DWGS.



44681 Gough Road, RR 2 Gorrie, Ontario
N0G 1X0 Phone: 1-877-366-4650

All timber shall be in sound condition. This design is subject to engineering and any authority having jurisdiction on the location of construction.

Dimensions may vary slightly because of hand-hewn timbers. Up to two inches of tolerance should be allowed.

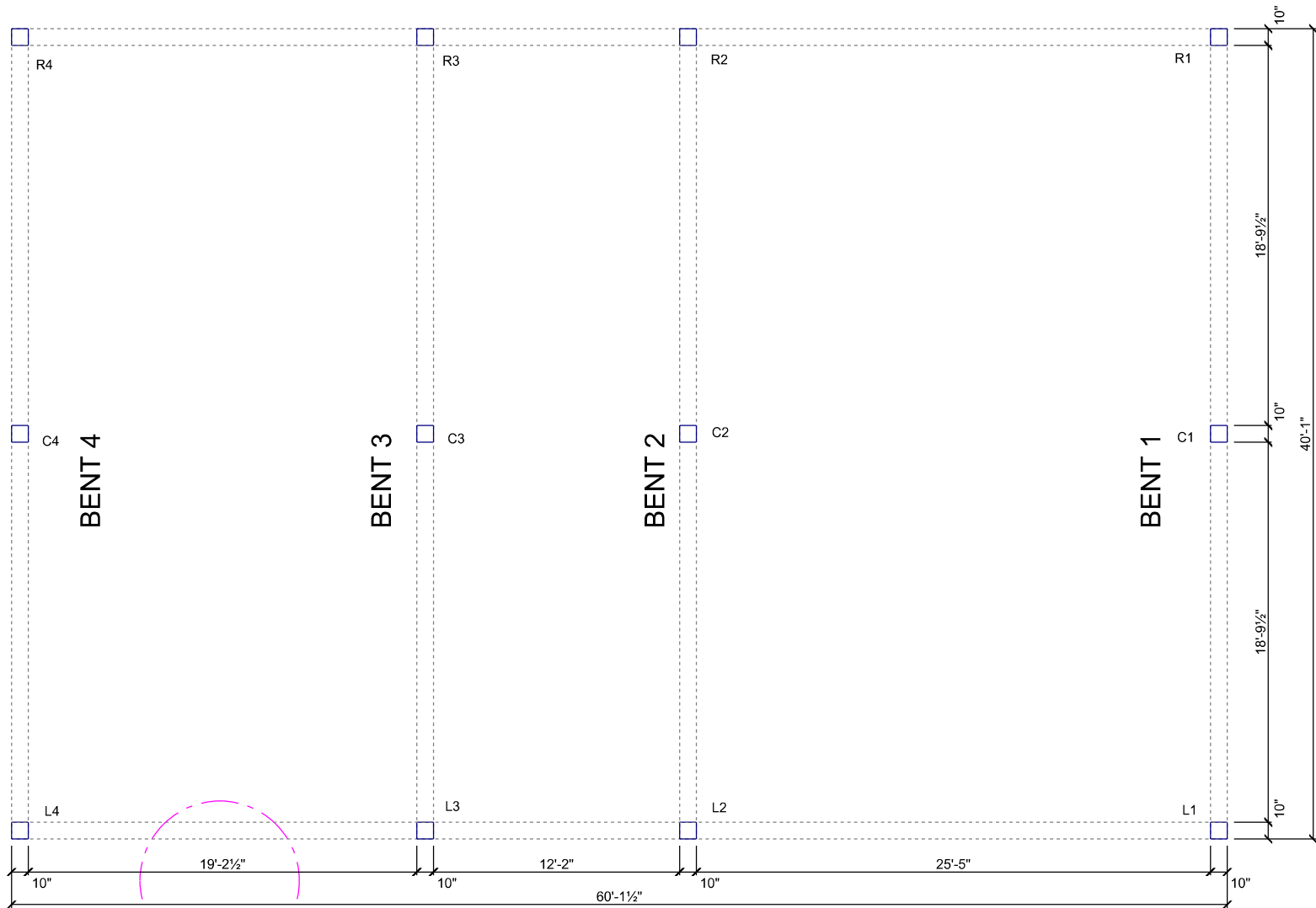
Contact **ERIC VERSTEEG**
CIRCLE ROCK Inc.
 1-519-357-8998 mobile
 sales@circlerockinc.com
 www.circlerockinc.com

Project Title
 PUSLINCH Twp.
 RECLAIMED FRAME
 HAND HEWN TIMBER
 40'-1" X 60'-1 1/2"

Drawing
 3D VIEW

Scale	NTS	Dwg. #	6 7
Date	SEPT 23, 2011		
Drawn By	K. MARTIN		

RIGHT SIDE WALL



LEFT SIDE WALL

These documents are instruments of service and are the property of Star Blueprints Inc. They may not be reproduced, altered or reused without the expressed written consent of Star Blueprints Inc.

Date	Issue
SEPT. 26 2011	EXISTING TIMBER DWGS.



44681 Gough Road, RR 2 Gorrie, Ontario
NOG 1X0 Phone: 1-877-366-4650

All timber shall be in sound condition. This design is subject to engineering and any authority having jurisdiction on the location of construction.

Dimensions may vary slightly because of hand-hewn timbers. Up to two inches of tolerance should be allowed.

Contact **ERIC VERSTEEG**
CIRCLE ROCK Inc.
 1-519-357-8998 mobile
 sales@circlerockinc.com
 www.circlerockinc.com

Project Title
PUSLINCH Twp.
RECLAIMED FRAME
HAND HEWN TIMBER
40'-1" X 60'-1 1/2"

Drawing
BENT #1

Scale 1/8" = 1'	Dwg. #
Date SEPT 23, 2011	7 7
Drawn By K. MARTIN	